

Spind® IV

FLOOR GULLY/TRAP



SPIND IV Floor Gully/Trap with its 'True' top cleaning capability, ease of usage and functionality has made it popular with many developers, consultants, architects and homeowners. Our Spind product range of traps are fully certified to ***SIRIM BS EN1253 K3 Standards** (SIRIM Certificate No. PS112002).

This highly ingenious product allows the trap to be embedded in the floor slab and at the same time allowing top access for easy cleaning and maintenance.

Various grating options allows architects and consultants more flexibility in choosing top finishing and at the same time allow for costing (budgeting) in different project.

SPIND IV trap comes with multiple adaptors ie. air-cond discharge adaptor, basin or kitchen sink adaptor and extension pieces for different height connections to suit site condition. Simplicity in design and modular in concept allows the trap to be easily used.

SPIND IV Esprit & Elise gratings are applicable to low-cost flat, medium cost aptment, luxurious condominiums or bungalows. As for **SPIND IV Elise AV** prevents vandalism in commercial projects and public amenities.

SPIND IV square tile holders for luxurious aptments, condominiums, penthouse, double storey superlinks, town houses and bungalows.



Spind IV Standard Plastic Grating & collar
Collar: Upvc or ABS Plastic
Grating: Upvc or ABS Plastic
(With Twist Lock function)



Spind IV Esprit Plastic Grating & Collar
Collar: Upvc or ABS Plastic
Grating: Upvc or ABS Plastic
(With Twist Lock function)



Spind IV Elise Stainless Steel Grating & Collar
Collar: 1.0mm SS 304
Grating: 2.0 mm SS304
(Without Lock)



Spind Sun Stainless Steel Grating & Collar
Collar: 1.0mm SS 304
Grating: 2.0mm SS 304
(With Lock)



Spind Miranda Stainless Steel Grating & Collar
Collar: 1.0mm SS 304
Grating: 2.0mm SS 304
(With Lock)



Spind IV Elise AV Stainless Steel Grating & Collar
Collar: 1.0mm SS 304
Grating: 2.0 mm SS304
Locking: 2 Screws SS 304
(With Screw Lock for Anti-Vandalism)



Spind IV Stainless Steel Square Tile Holder (6\"X6\")
Collar: SS 304
Holder: SS 304
Base: Upvc or ABS Plastic



Spind IV Plastic Square Tile Holder (6\"X6\")
Collar: Upvc or ABS Plastic
Holder: Upvc or ABS Plastic

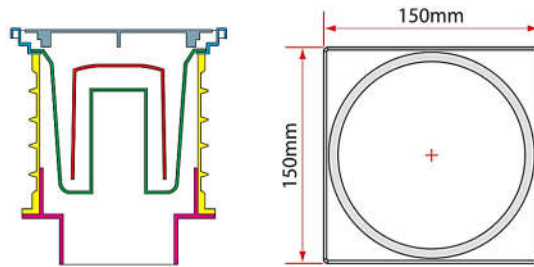
Advantage



- Easy Installation** : Easy Installation: All parts are modular in design as to allow easy jointing.
- Easy Conversion** : Allow any 4" pipe sleeve to be converted into a proper floor trap without major modification.
- Top Cleaning** : No more getting costly plumber to clean floor trap from floor below in event of blockage. All cleaning can be done from your own unit.
- Easy Maintenance** : Just unlock the grating and remove the bowl to clean the debris.
- Space Saving** : All floor trap body parts are totally embedded into the cement slab hence no messy traps hanging down from ceiling. Eventually, the need to have service access is eliminated and higher ceiling is achieved.
- Leakage Prevention** : SPIND pipe sleeve & pipe sleeve with 40mm inlets are designed to eliminate seepage of water normally associated with non confirming pipe sleeves.
- Cost Saving** : Less fittings & pipe is needed to complete piping work as it's direct discharge system.
- Multiple Application** : Can be used in variety of places such as ground floor, restaurant, high rise, condominium, aptment and shop office.
- Hygienic** : **Anti odours, insects & rodents.**

Gully Parts & Size Dimensions

- Tile
- Collar
- Bell Cap
- Bowl
- 50mm or 82mm Outlet
- Sleeve/Gully Body

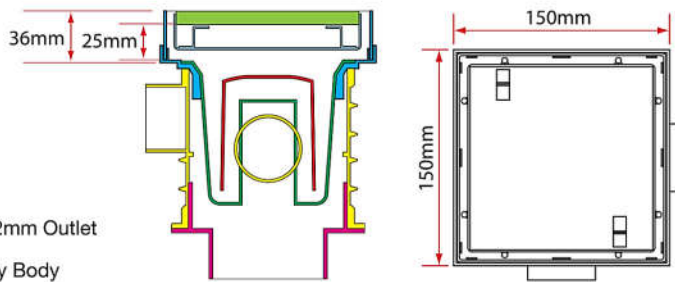


Flow rate tested to be in excess of 70 litres/min (1.17 litre/sec)

(based on SPIND IV Standard Grating)

Minimum flow rate to BS EN1253: 48 litres/min (0.8litre/sec)

- Tile
- Grating
- Collar
- Bell Cap
- Bowl
- 50mm or 82mm Outlet
- Sleeve/Gully Body



Flow rate tested to be in excess of 65 litres/min (1.08 litre/sec)

Minimum flow rate to BS EN1253: 48 litres/min (0.8litre/sec)

Connection of Air-Condition drain pipe must be connected by using **SPIND Special Design 20mm U-Bend** with Bush. Discharge of Air-Condition drain pipe into floor trap may cause condensation on the floor trap base or on pipe leading to stack. Proper insulation with use of insulflex is recommended to prevent this problem.



Easy Installation

Step 1

Pipe sleeving in concrete with addition of black cap to prevent excess concrete from falling into sleeve.



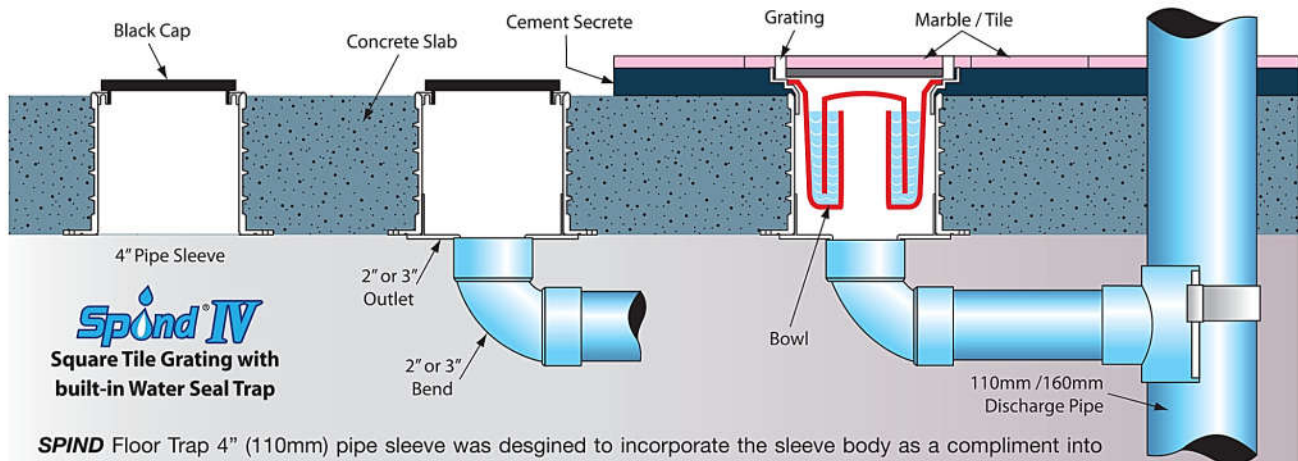
Step 2

Joining of the outlet (2"/3") to a bend or tee by means of solvent cement.



Step 3

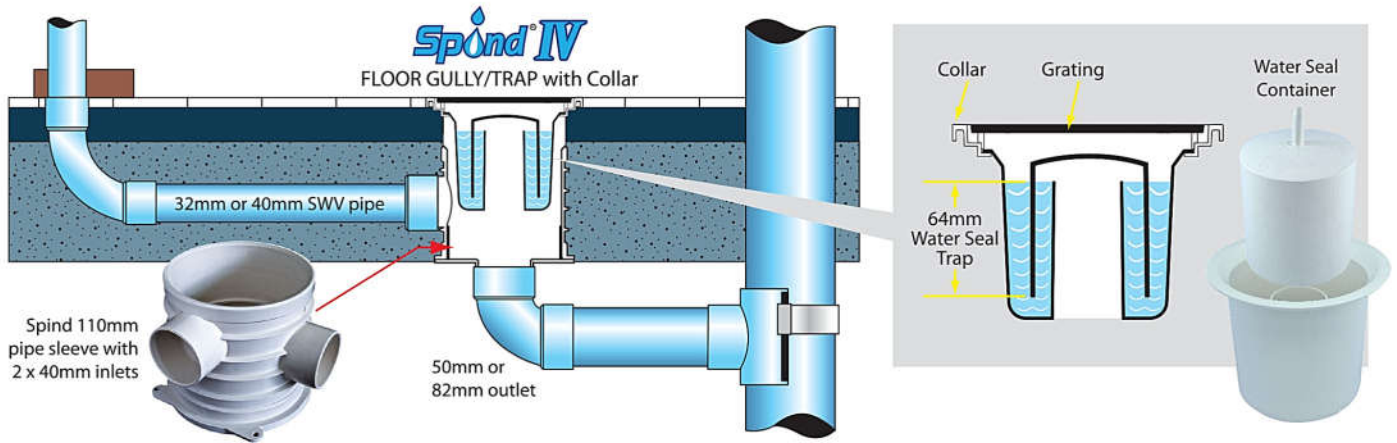
With the black cap removed, cement secrete is applied to allow for leveling & tile laying. The 2 in 1 Spind IV Square Tile Grating with built in water seal trap is then installed in pipe sleeve body & flushed with tile work.



SPIND Floor Trap 4" (110mm) pipe sleeve was designed to incorporate the sleeve body as a compliment into **SPIND IV** Grating for its built-in Water Seal Concept. The ideal combination comes with option of 2" or 3" outlets.

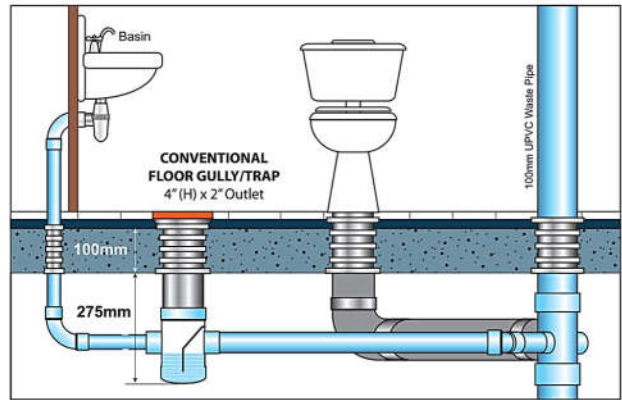
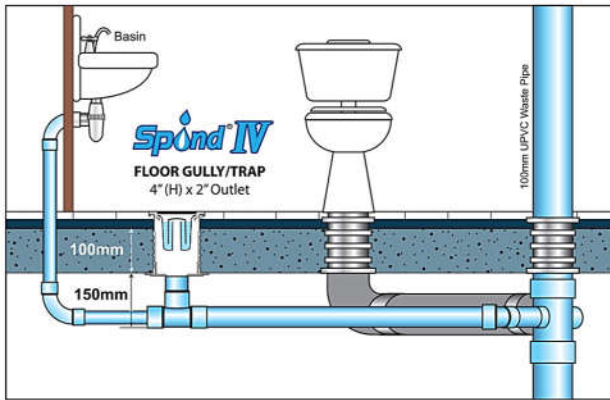
Special design from SPIND MALAYSIA of "SPIND" Floor Gully/Trap is unique in that it allows cleaning/rodding from the bathroom itself. There is no need to go below the floor slab or to remove the false ceiling for cleaning/rodding purposes. (ideal for ground floor, condominiums, flats, hotels, high rise and double storey house applications)

Gully Parts & Optional Sleeves



Height of Pipe Work

Effectiveness in space saving



Effectiveness in expansion

